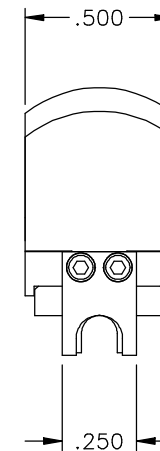
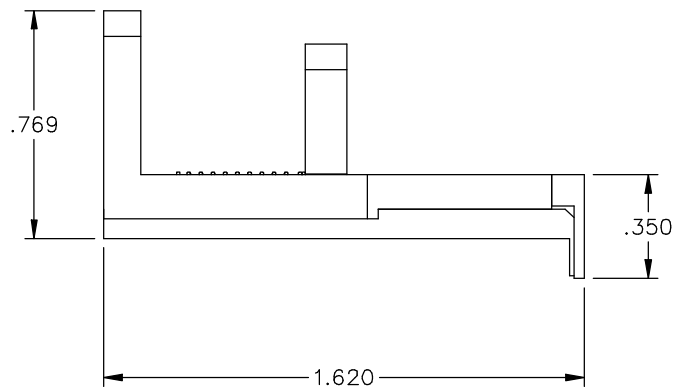
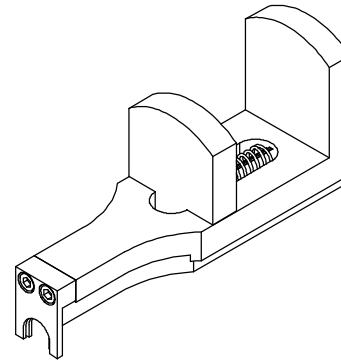


CATALOG NUMBER

A098-A99-10

MATERIAL AND FINISH

BASE AND HANDLE: CRES 303; PASSIVATED
 SLIDE AND FRONT BODY: 17-4 PH STAINLESS STEEL
 SPRING: MUSIC WIRE, ZINC PLATE
 SCREWS AND ROLL PIN: STEEL



This drawing and any data contained herein is the property of Corning Gilbert Inc., and constitutes and contains proprietary and confidential information. Neither receipt nor possession of this drawing confers or transfers any right to duplicate, use or disclose any information contained herein except as expressly authorized by Corning Gilbert Inc.

GPO STRAIGHT CABLE
 CONNECTOR REMOVAL TOOL

IDENT CODE:
 82316

REVISION: D

Corning Gilbert Inc.

SOURCE FILE: SK-2211

DWG. NO.: OL-A098-A99-10

ASSY. PROC.: -